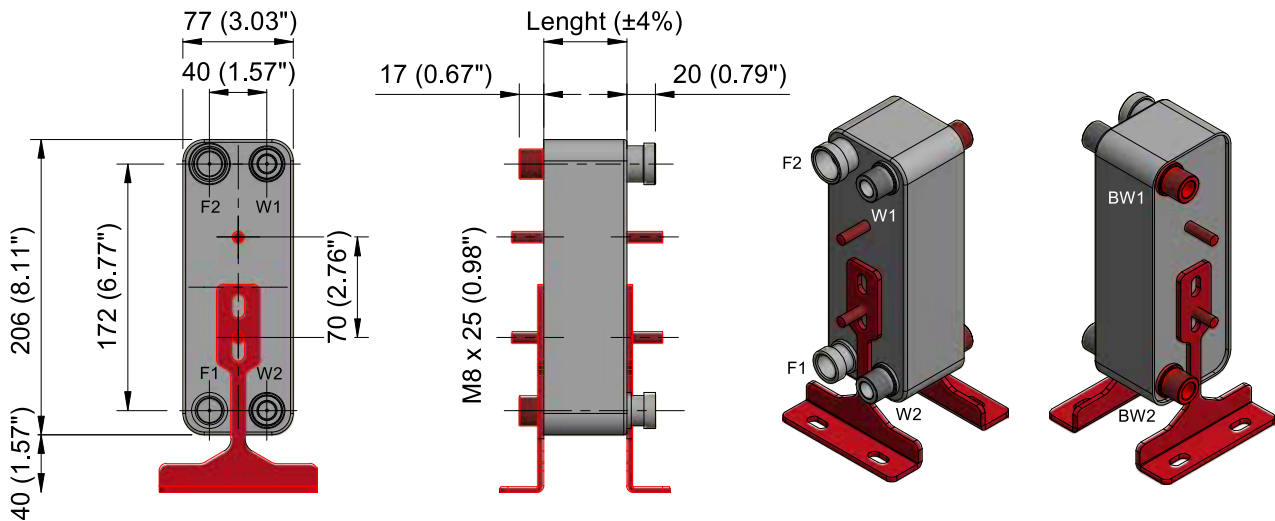




# PS Series PS06

## Dimensions

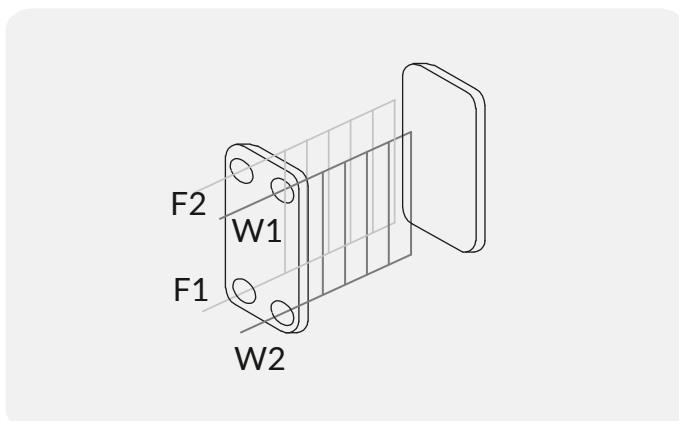
EMMEGI Code: PS006###F0126



## Specifications

	S06	
Rated pressure	30	bar
Temperatur range	-100 ... +120	°C
max. conn. available	18	mm
max. flow rate	5,22	m <sup>3</sup> /h
Volume / channel	0,0346	liters
Dimensions	80 x 211	mm
Length	N x 2,3 + 10	mm
Weight	N x 0,06 + 0,5	kg

## Material and connections



N Number of plates  
F Female Gas Threaded Connections  
4x1/2" BSP

Plate Material 316L  
Brazing Material Copper (CU)

*For individual design please consult EMMEGI GmbH*