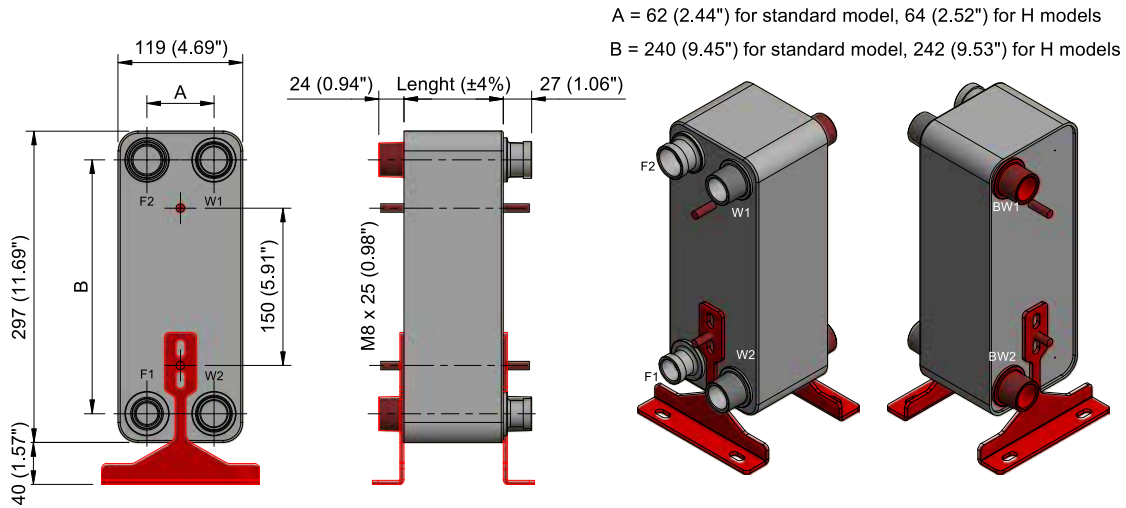




PS Series PS12

Dimensions

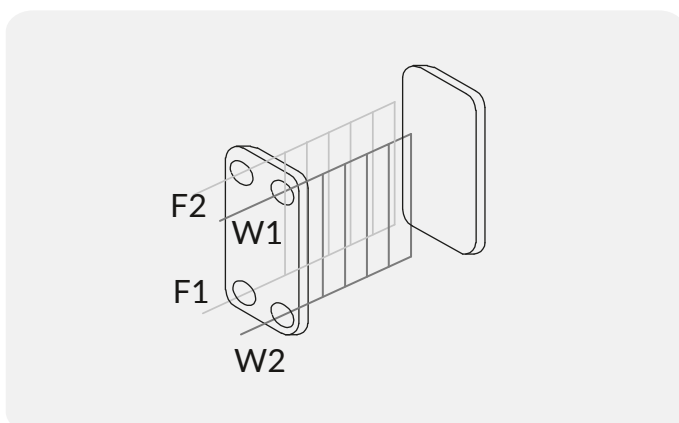
EMMEGI Code: PS012###F0126



Specifications

| | S12 | |
|----------------------|---------------|-------------------|
| Rated pressure | 30 | bar |
| Temperatur range | -100 ... +120 | °C |
| max. conn. available | 30,1 | mm |
| max. flow rate | 14,7 | m ³ /h |
| Volume / channel | 0,071 | liters |
| Dimensions | 120 x 298 | mm |
| Length | N x 2,3 + 12 | mm |
| Weight | N x 0,1 + 1 | kg |

Material and connections



N Number of plates
 F Female Gas Threaded Connections
 4x1" BSP

Plate Material 316L
 Brazing Material Copper (CU)

For individual design please consult EMMEGI GmbH