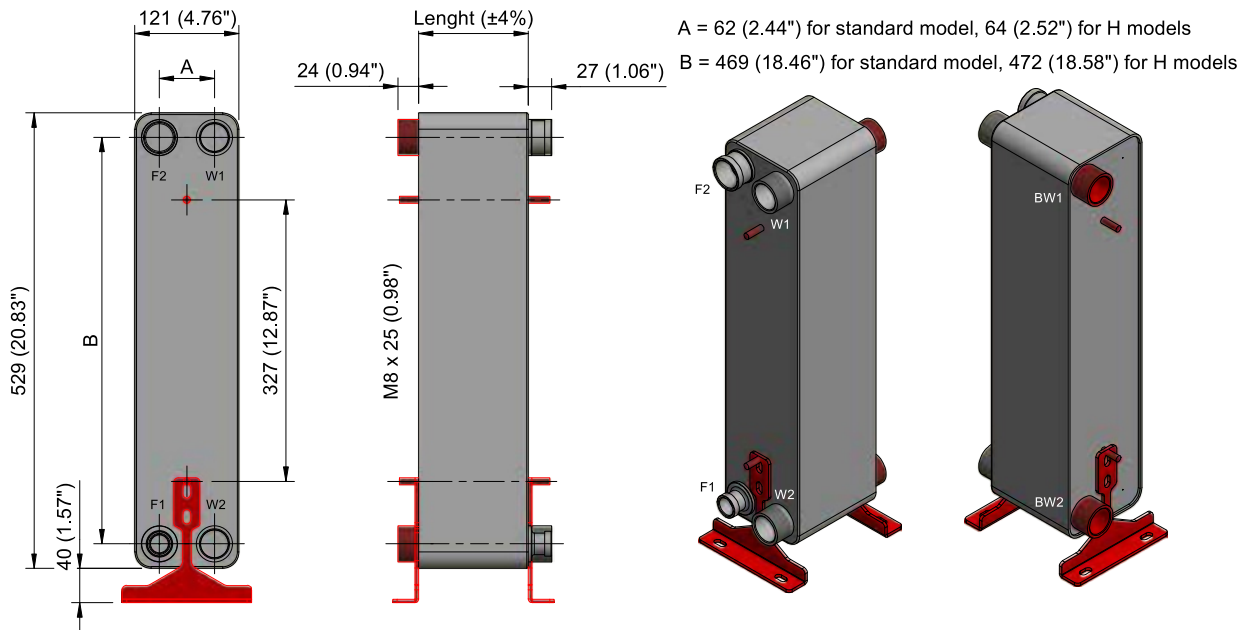




PS Series PS82

Dimensions

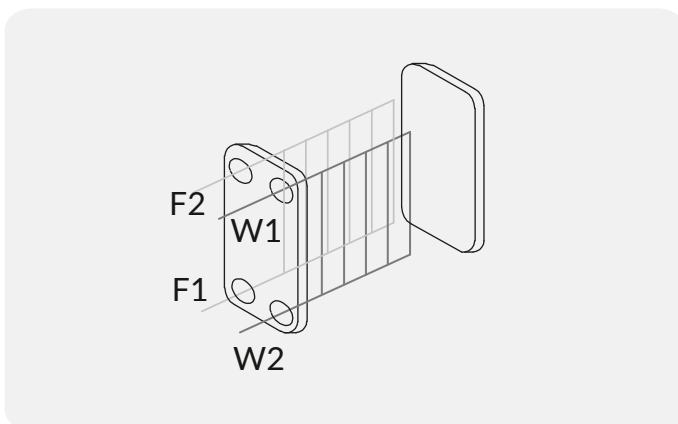
EMMEGI Code: PS082###F0126



Specifications

	S82	
Rated pressure	30	bar
Temperatur range	-100 ... +120	°C
max. conn. available	38,9	mm
max. flow rate	23,6	m ³ /h
Volume / channel	0,122	liters
Dimensions	122 x 530	mm
Length	N x 2,15 + 11	mm
Weight	N x 0,17 + 2	kg

Material and connections



N Number of plates
F Female Gas Threaded Connections
4x1" BSP

Plate Material 316L
Brazing Material Copper (CU)

For individual design please consult EMMEGI GmbH