

MOBILE series MINI - PLUS

 **ENNEGI**®
HEAT-EXCHANGERS

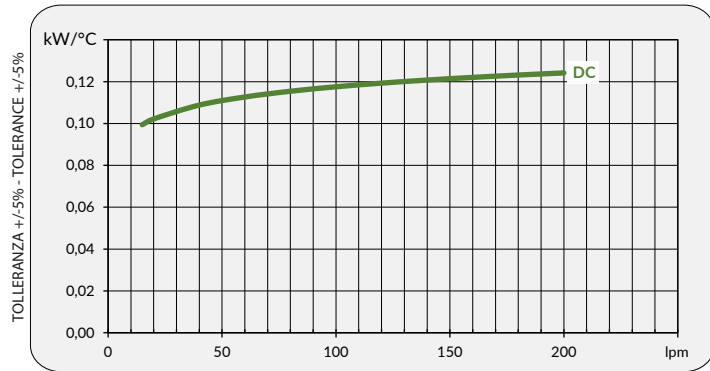


MOBILE S MINI

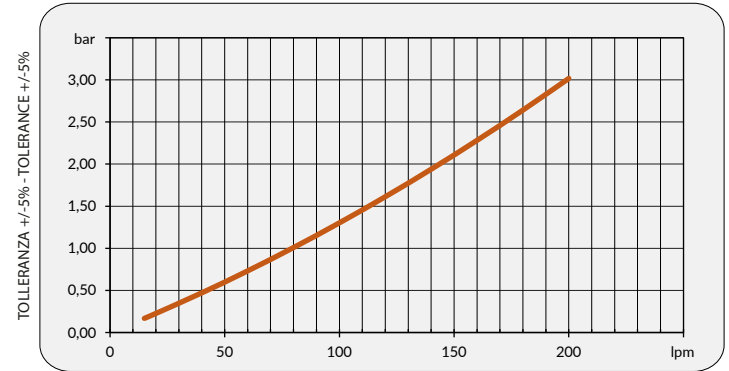
Cod. Emmegi Part Number	Dati tecnici / Technical data				
	Voltage (V)	Amp. rating (A)	Fan (number)	db(A)	AXIAL FANS KIT
2MSM12#01	12	10.2	1	000	0879720
2MSM24#01	24	5.6	1	000	0879710
2MSM12#02	12	9.6	1	000	0879740
2MSM24#02	24	5.2	1	000	0879730

OPTION #
0 WITHOUT THERMOSTAT
1 FIXED THERMOSTAT 40-28°
2 FIXED THERMOSTAT 50-38°
3 FIXED THERMOSTAT 60-48°
4 FIXED THERMOSTAT 70-58°
5 FIXED THERMOSTAT 80-68°
6 FIXED THERMOSTAT 90-78°

Performance diagram



Pressure drop (ISO VG 32)

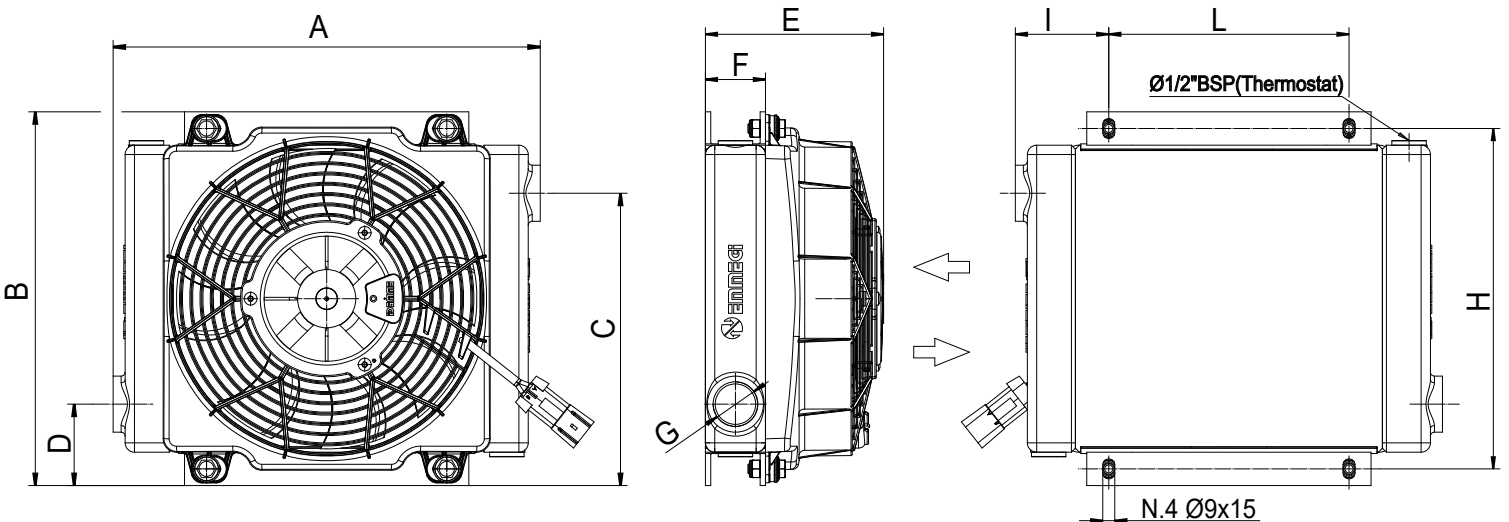


Fattore di correzione-F-(perdite di carico)

Correction factor-F-(Pressure drop)

cst	10	15	20	30	40	50	60	80	100	200	300
F	0,5	0,65	0,77	1	1,2	1,4	1,6	1,9	2,1	3,3	4,3

Cod. Emmegi Part Number	Dimensioni / Dimension										
	A	B	C	D	E	F	G	H	I	L	
2MSM12#01											
2MSM24#01	320	280	219	61	133	45	1" BSP	255	70	180	
2MSM12#02											
2MSM24#02											

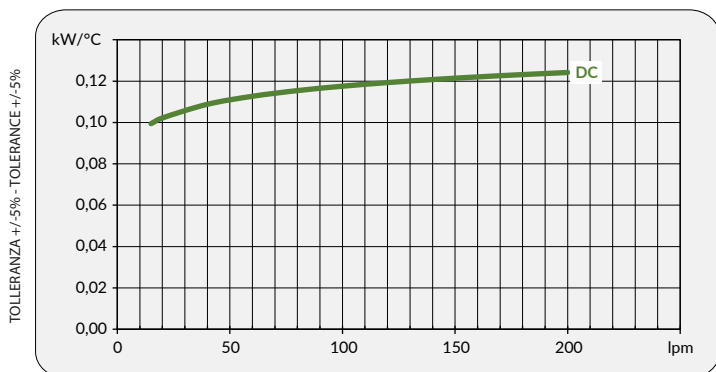




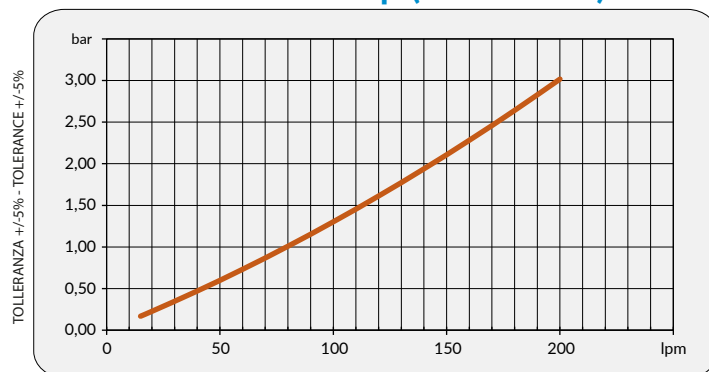
Cod. Emmegi Part Number	Dati tecnici / Technical data				
	Voltage (V)	Amp. rating (A)	Fan (number)	db(A)	AXIAL FANS KIT
2MVM12#01	12	10.2	1	000	0879720
2MVM24#01	24	5.6	1	000	0879710
2MVM12#02	12	9.6	1	000	0879740
2MVM24#02	24	5.2	1	000	0879730

OPTION #	
0	WITHOUT THERMOSTAT
1	FIXED THERMOSTAT 40-28°
2	FIXED THERMOSTAT 50-38°
3	FIXED THERMOSTAT 60-48°
4	FIXED THERMOSTAT 70-58°
5	FIXED THERMOSTAT 80-68°
6	FIXED THERMOSTAT 90-78°

Performance diagram



Pressure drop (ISO VG 32)

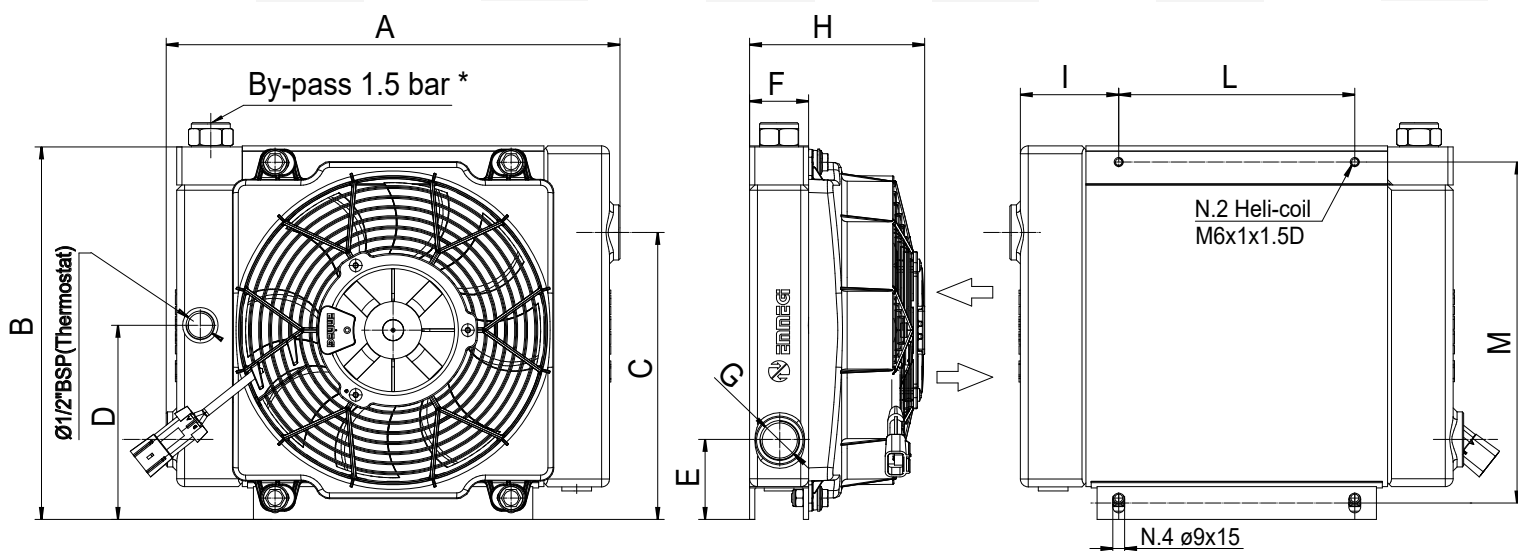


Fattore di correzione-F-(perdite di carico)

Correction factor-F-(Pressure drop)

cst	10	15	20	30	40	50	60	80	100	200	300
F	0,5	0,65	0,77	1	1,2	1,4	1,6	1,9	2,1	3,3	4,3

Cod. Emmegi Part Number	Dimensioni / Dimension										
	A	B	C	D	E	F	G	H	I	L	M
2MVM12#01	346	284	219	148	61	45	1" BSP	151	75	180	260
2MVM24#01											
2MVM12#02											
2MVM24#02											



* Disponibile By-pass anche a 3 e 5 bar.

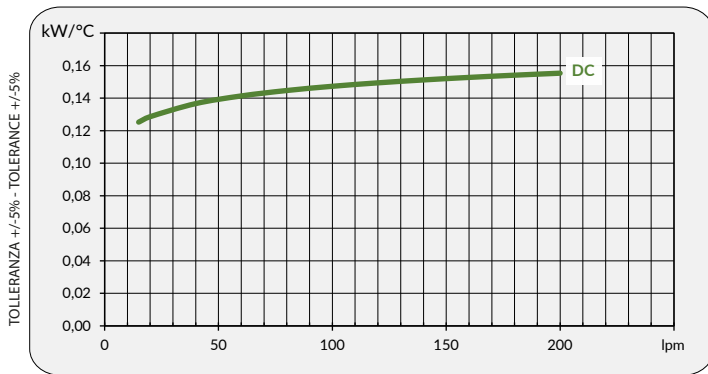


MOBILE S PLUS

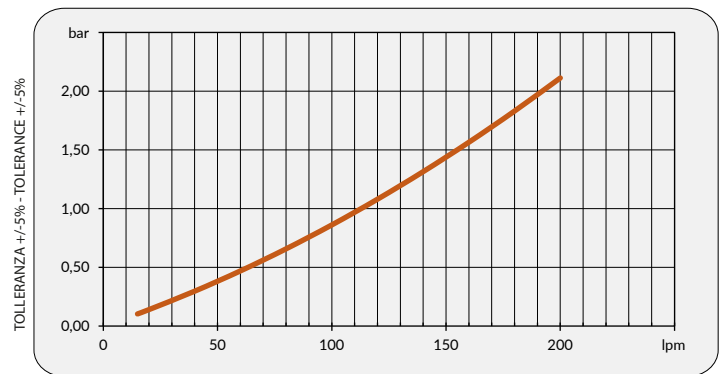
Cod. Emmegi Part Number	Dati tecnici / Technical data				
	Voltage (V)	Amp. rating (A)	Fan (number)	db(A)	AXIAL FANS KIT
2MSP12#01	12	10.2	1	000	0879720
2MSP24#01	24	5.8	1	000	0879710
2MSP12#02	12	10	1	000	0879740
2MSP24#02	24	5.4	1	000	0879730

OPTION #
0 WIHOUT THERMOSTAT
1 FIXED THERMOSTAT 40-28°
2 FIXED THERMOSTAT 50-38°
3 FIXED THERMOSTAT 60-48°
4 FIXED THERMOSTAT 70-58°
5 FIXED THERMOSTAT 80-68°
6 FIXED THERMOSTAT 90-78°

Performance diagram



Pressure drop (ISO VG 32)

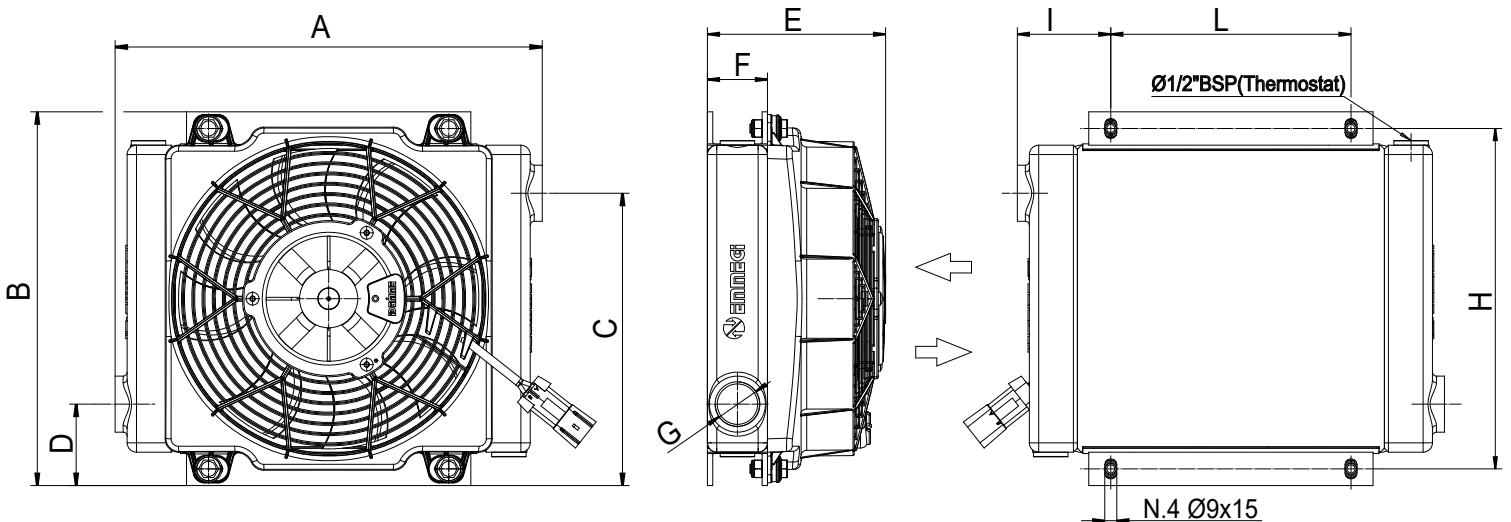


Fattore di correzione-F-(perdite di carico)

Correction factor-F-(Pressure drop)

cst	10	15	20	30	40	50	60	80	100	200	300
F	0,5	0,65	0,77	1	1,2	1,4	1,6	1,9	2,1	3,3	4,3

Cod. Emmegi Part Number	Dimensioni / Dimension										
	A	B	C	D	E	F	G	H	I	L	
2MSP12#01											
2MSP24#01	320	280	219	61	133	63	1" BSP	255	70	180	
2MSP12#02											
2MSP24#02											

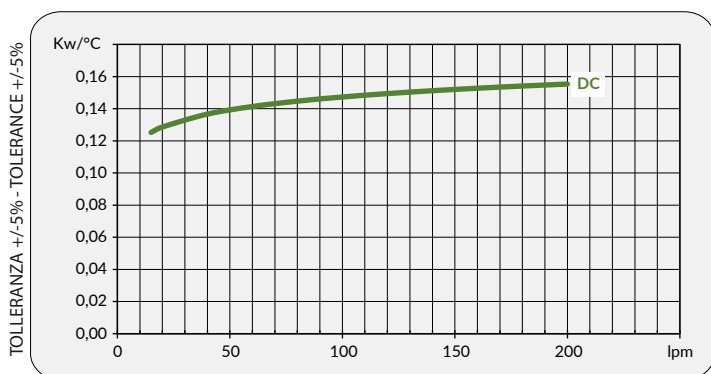




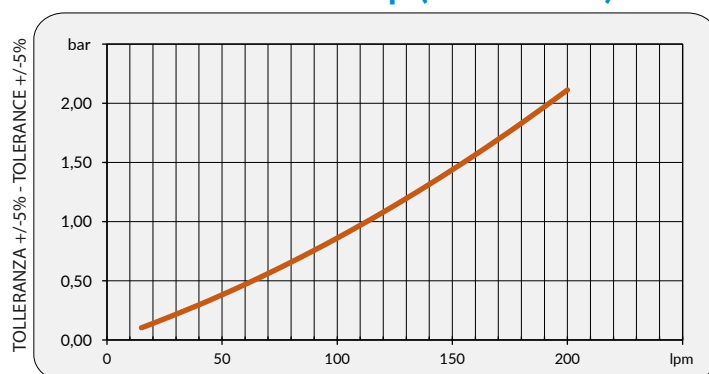
Cod. Emmegi Part Number	Dati tecnici / Technical data				
	Voltage (V)	Amp. rating (A)	Fan (number)	db(A)	AXIAL FANS KIT
2MVP12#01	12	10.4	1	000	0879720
2MVP24#01	24	5.8	1	000	0879710
2MVP12#02	12	10	1	000	0879740
2MVP24#02	24	5.4	1	000	0879730

OPTION #	
0	WITHOUT THERMOSTAT
1	FIXED THERMOSTAT 40-28°
2	FIXED THERMOSTAT 50-38°
3	FIXED THERMOSTAT 60-48°
4	FIXED THERMOSTAT 70-58°
5	FIXED THERMOSTAT 80-68°
6	FIXED THERMOSTAT 90-78°

Performance diagram



Pressure drop (ISO VG 32)

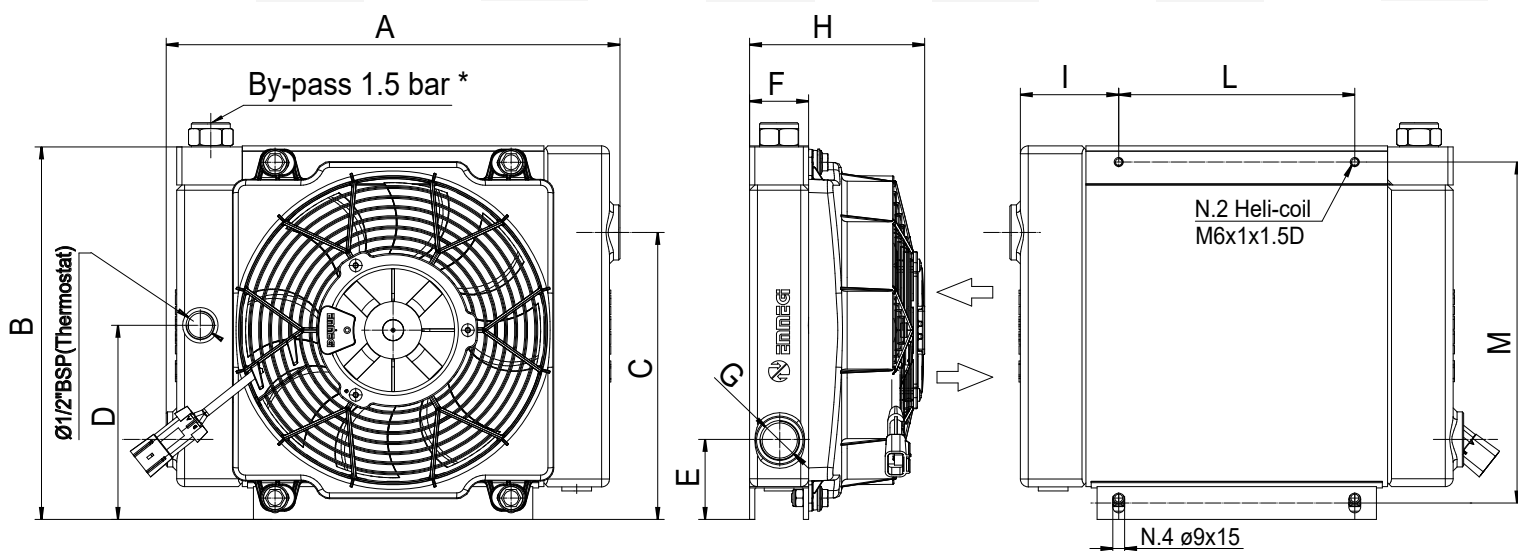


Fattore di correzione-F-(perdite di carico)

Correction factor-F-(Pressure drop)

cst	10	15	20	30	40	50	60	80	100	200	300
F	0,5	0,65	0,77	1	1,2	1,4	1,6	1,9	2,1	3,3	4,3

Cod. Emmegi Part Number	Dimensioni / Dimension										
	A	B	C	D	E	F	G	H	I	L	M
2MVP12#01	346	284	219	148	61	63	1" BSP	151	75	180	260
2MVP24#01											
2MVP12#02											
2MVP24#02											



* Disponibile By-pass anche a 3 e 5 bar.

